



# FD85-100

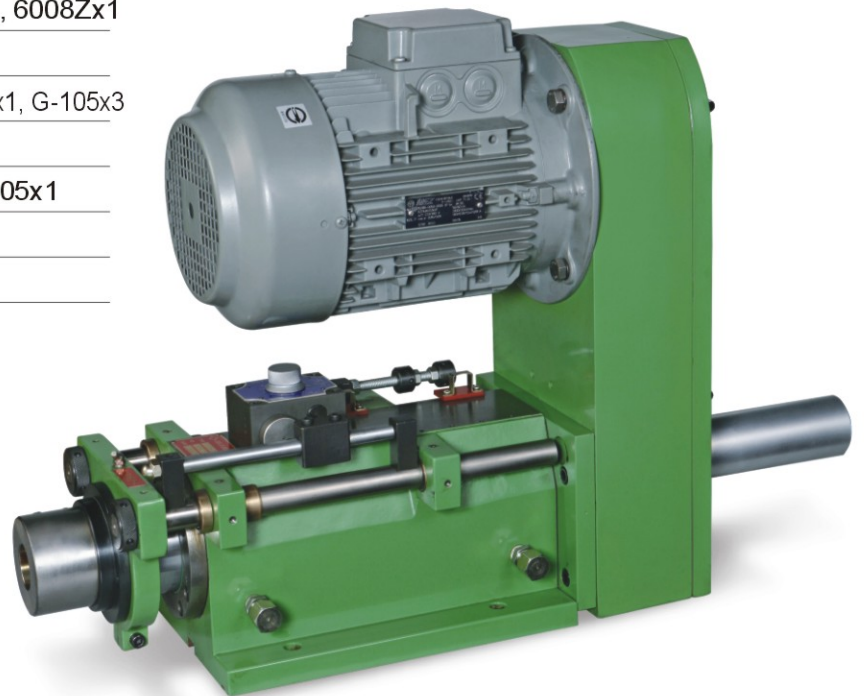
## Drilling Unit

### Specification

Hydraulic Pressure	20~35kg/cm <sup>2</sup>
Drilling Capacity	φ 40(mild steel)
Flow Control Valve	FCC-G03-8
Max. Revolution/Minute	1,800rpm
Weight	85kg, 150kg
Stroke	100mm
Cylinder Diameter	φ 110
Cylinder Area	Forward 71.2cm <sup>2</sup> , Backward 31.4cm <sup>2</sup>
Thrust Force	1,420kg(20kg/cm <sup>2</sup> )

### Consumption Parts

Spindle Bearing	32009x1, 6009Zx1, 32008x1, 6008Zx1
Pulley Bearing	6013Zx1, 51213x1
O-Ring for Front Cover	DH-90x1, P-90x1, USI-90-100-6x1, G-105x3
O-Ring for Piston	P-100x2, G-65x1
O-Ring for Rear Cover	P55x1, T601-55-65-6x1, G-105x1
O-Ring for Cylinder	G-110x3
Bush Seal	DH-25x8

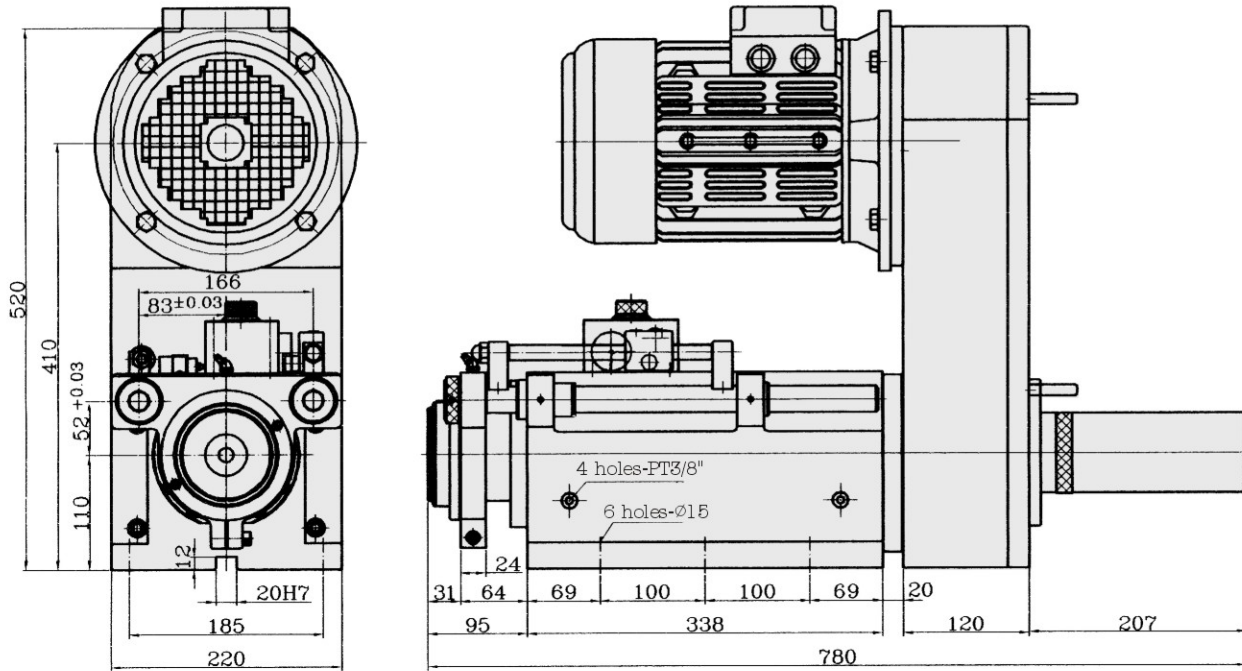




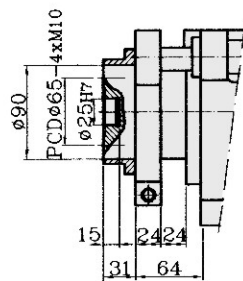
# FD85-100

# Drilling Unit

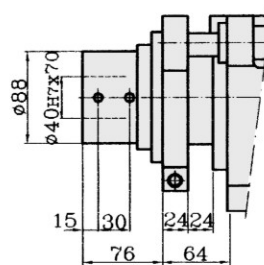
## Dimensions



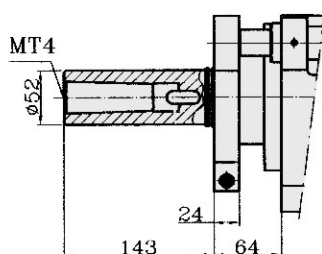
**FD85-100-FB30**



**FD85-100-AS40**



**FD85-100-MT4A**



**FD85M-100-MT4B Multi**

